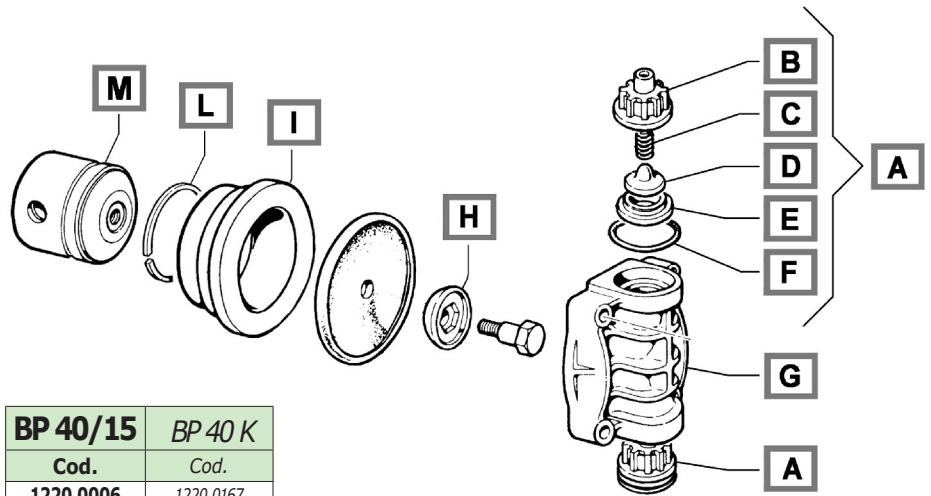


# BP 40/15

Pompe a Membrana - Diaphragm Pumps

**Differenze da BP 40K**  
Differences with BP 40K

**550 RPM**



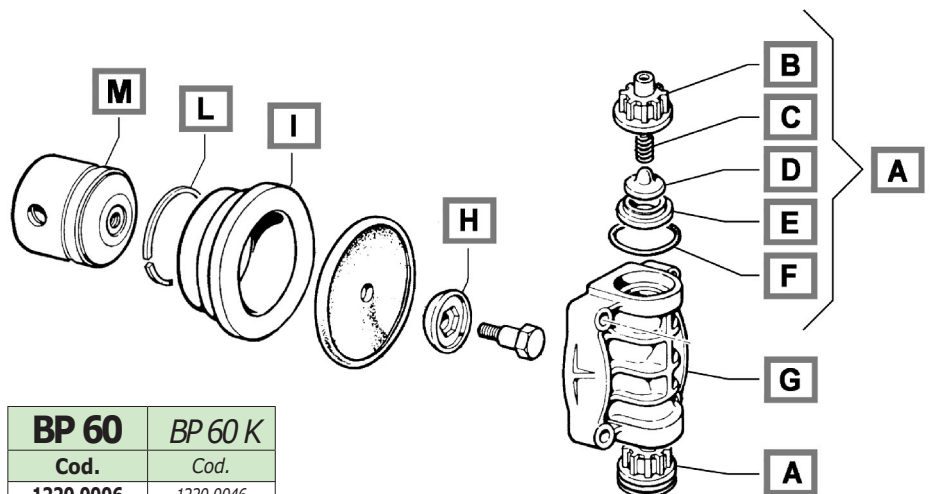
N°	Descrizione	Description	Q.ty	BP 40/15	BP 40 K
				Cod.	Cod.
A	Gruppo Valvola Asp/Man.	Suct/Del Valve Assembly	4	1220 0006	1220 0167
B	Gabbia Valvola Asp/Man.	Suct/Del Valve Cage	4	1205 0004	1205 0034
C	Molla Valvola Asp/Man.	Suct/Del Valve Spring	4	1802 0015	1802 0255
D	Valvola Asp/Man.	Suct/Del Valve	4	3604 0009	3604 0009
E	Sede Valvola Asp/Man.	Suct/Del Valve Seat	4	3009 0015	3009 0015
F	Guarnizione OR	O-Ring	4	1210 0374	1210 0374
G	Testata Pompa	Pump Manifold	2	3218 0094	3218 0396
H	Disco Tenuta Membrana	Diaphragm Disc	2	0602 0010	0602 0045
I	Camicia	Piston Sleeve	2	0400 0068	0400 0086
L	Anello Compressione	Compression Ring	2	-	0020 0001
M	Pistone	Piston	2	2409 0017	2409 0096

# BP 60

Pompe a Membrana - Diaphragm Pumps

**Differenze da BP 60K**  
Differences with BP 60K

**550 RPM**



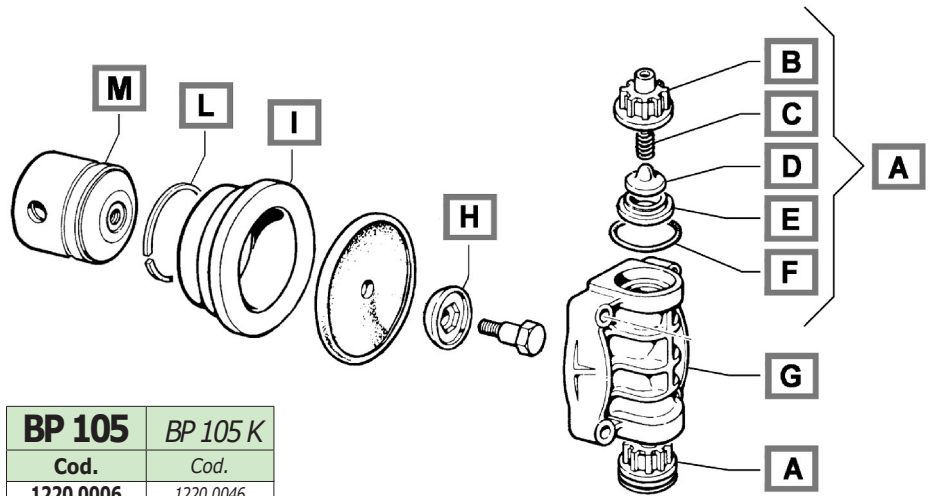
N°	Descrizione	Description	Q.ty	BP 60	BP 60 K
				Cod.	Cod.
A	Gruppo Valvola Asp/Man.	Suct/Del Valve Assembly	4	1220 0006	1220 0046
B	Gabbia Valvola Asp/Man.	Suct/Del Valve Cage	4	1205 0004	1205 0034
C	Molla Valvola Asp/Man.	Suct/Del Valve Spring	4	1802 0015	1802 0255
D	Valvola Asp/Man.	Suct/Del Valve	4	3604 0009	3604 0009
E	Sede Valvola Asp/Man.	Suct/Del Valve Seat	4	3009 0022	3009 0022
F	Guarnizione OR	O-Ring	4	1210 0419	1210 0419
G	Testata Pompa	Pump Manifold	2	3218 0018	3218 0123
H	Disco Tenuta Membrana	Diaphragm Disc	2	0602 0010	0602 0045
I	Camicia	Piston Sleeve	2	0400 0021	0400 0087
L	Anello Compressione	Compression Ring	2	-	0020 0001
M	Pistone	Piston	2	2409 0017	2409 0096

# BP 105

Pompe a Membrana - Diaphragm Pumps

**Differenze da BP 105K**  
Differences with BP 105K

**550 RPM**



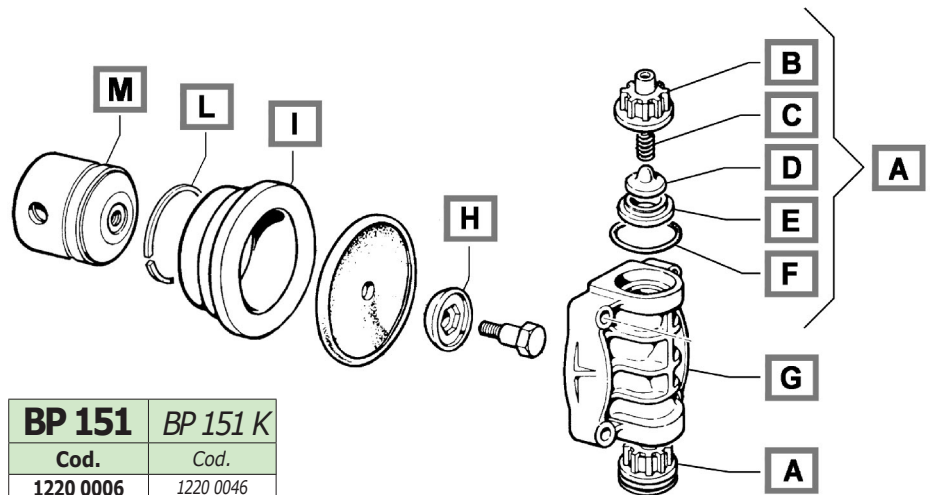
N°	Descrizione	Description	Q.ty	BP 105	BP 105 K
				Cod.	Cod.
A	Gruppo Valvola Asp/Man.	Suct/Del Valve Assembly	6	1220 0006	1220 0046
B	Gabbia Valvola Asp/Man.	Suct/Del Valve Cage	6	1205 0004	1205 0034
C	Molla Valvola Asp/Man.	Suct/Del Valve Spring	6	1802 0015	1802 0255
D	Valvola Asp/Man.	Suct/Del Valve	6	3604 0009	3604 0009
E	Sede Valvola Asp/Man.	Suct/Del Valve Seat	6	3009 0022	3009 0022
F	Guarnizione OR	O-Ring	6	1210 0419	1210 0419
G	Testata Pompa	Pump Manifold	3	3218 0018	3218 0123
H	Disco Tenuta Membrana	Diaphragm Disc	3	0602 0010	0602 0045
I	Camicia	Piston Sleeve	3	0400 0034	0400 0088
L	Anello Compressione	Compression Ring	3	-	0020 0001
M	Pistone	Piston	3	2409 0017	2409 0096

# BP 151

Pompe a Membrana - Diaphragm Pumps

**Differenze da BP 151K**  
Differences with BP 151K

**550 RPM**



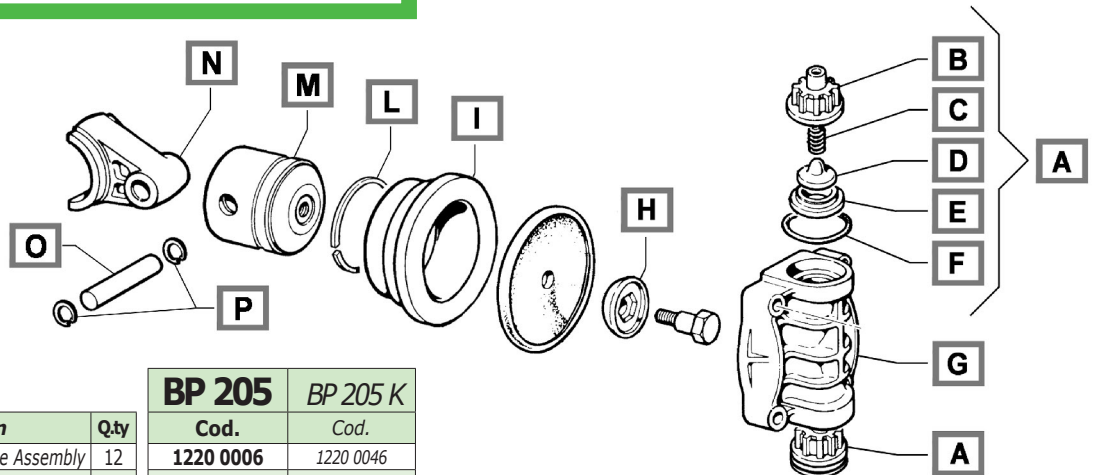
N°	Descrizione	Description	Q.ty	BP 151	BP 151 K
				Cod.	Cod.
A	Gruppo Valvola Asp/Man.	Suct/Del Valve Assembly	8	1220 0006	1220 0046
B	Gabbia Valvola Asp/Man.	Suct/Del Valve Cage	8	1205 0004	1205 0034
C	Molla Valvola Asp/Man.	Suct/Del Valve Spring	8	1802 0015	1802 0255
D	Valvola Asp/Man.	Suct/Del Valve	8	3604 0009	3604 0009
E	Sede Valvola Asp/Man.	Suct/Del Valve Seat	8	3009 0022	3009 0022
F	Guarnizione OR	O-Ring	8	1210 0419	1210 0419
G	Testata Pompa	Pump Manifold	4	3218 0018	3218 0123
H	Disco Tenuta Membrana	Diaphragm Disc	4	0602 0010	0602 0045
I	Camicia	Piston Sleeve	4	0400 0034	0400 0088
L	Anello Compressione	Compression Ring	4	-	0020 0001
M	Pistone	Piston	4	2409 0017	2409 0096

# BP 205

Pompe a Membrana - Diaphragm Pumps

**Differenze da BP 205K**  
Differences with BP 205K

**550 RPM**



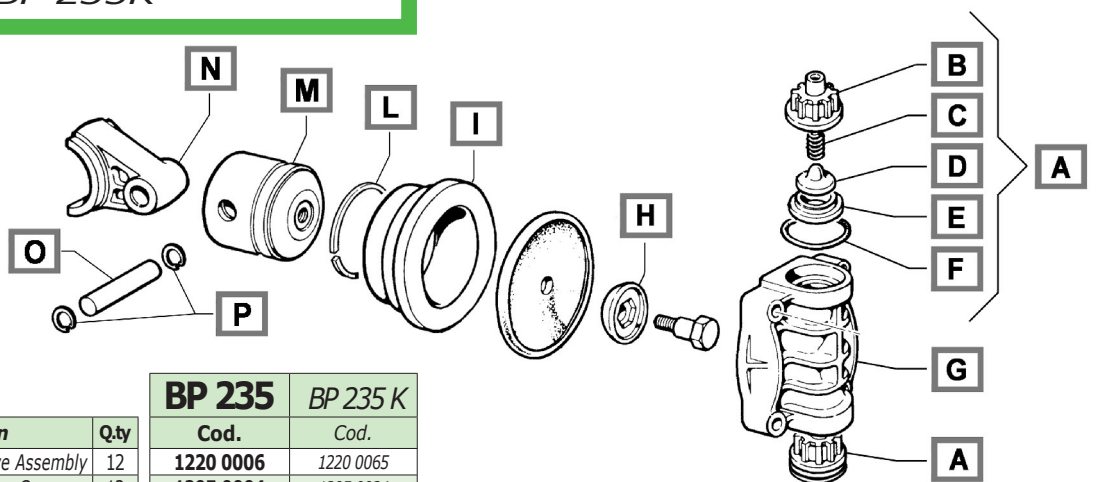
N°	Descrizione	Description	Q.ty	BP 205	BP 205 K
				Cod.	Cod.
A	Gruppo Valvola Asp/Man.	Suct/Del Valve Assembly	12	1220 0006	1220 0046
B	Gabbia Valvola Asp/Man.	Suct/Del Valve Cage	12	1205 0004	1205 0034
C	Molla Valvola Asp/Man.	Suct/Del Valve Spring	12	1802 0015	1802 0255
D	Valvola Asp/Man.	Suct/Del Valve	12	3604 0009	3604 0009
E	Sede Valvola Asp/Man.	Suct/Del Valve Seat	12	3009 0022	3009 0022
F	Guarnizione OR	O-Ring	12	1210 0419	1210 0419
G	Testata Pompa	Pump Manifold	6	3218 0018	3218 0123
H	Disco Tenuta Membrana	Diaphragm Disc	6	0602 0010	0602 0045
I	Camicia	Piston Sleeve	6	0400 0021	0400 0089
L	Anello Compressione	Compression Ring	6	-	0020 0001
M	Pistone	Piston	6	2409 0024	2409 0096
N	Kit Biella 3 Settori	3 SECT Con-rod Kit	2	0205 0033	0205 0067
O	Spinotto	Gudgeon Pin	6	3011 0003	3011 0001
P	Seeger Interno	Inner Seeger	12	3020 0006	3020 0001

# BP 235

Pompe a Membrana - Diaphragm Pumps

**Differenze da BP 235K**  
Differences with BP 235K

**550 RPM**



N°	Descrizione	Description	Q.ty	BP 235	BP 235 K
				Cod.	Cod.
A	Gruppo Valvola Asp/Man.	Suct/Del Valve Assembly	12	1220 0006	1220 0065
B	Gabbia Valvola Asp/Man.	Suct/Del Valve Cage	12	1205 0004	1205 0034
C	Molla Valvola Asp/Man.	Suct/Del Valve Spring	12	1802 0015	1802 0245
D	Valvola Asp/Man.	Suct/Del Valve	12	3604 0009	3604 0009
E	Sede Valvola Asp/Man.	Suct/Del Valve Seat	12	3009 0022	3009 0022
F	Guarnizione OR	O-Ring	12	1210 0419	1210 0419
G	Testata Pompa	Pump Manifold	6	3218 0018	3218 0123
H	Disco Tenuta Membrana	Diaphragm Disc	6	0602 0010	0602 0045
I	Camicia	Piston Sleeve	6	0400 0040	0400 0079
L	Anello Compressione	Compression Ring	6	-	0020 0001
M	Pistone	Piston	6	2409 0024	2409 0096
N	Kit Biella 3 Settori	3 SECT Con-rod Kit	2	0205 0033	0205 0067
O	Spinotto	Gudgeon Pin	6	3011 0003	3011 0001
P	Seeger Interno	Inner Seeger	12	3020 0006	3020 0001