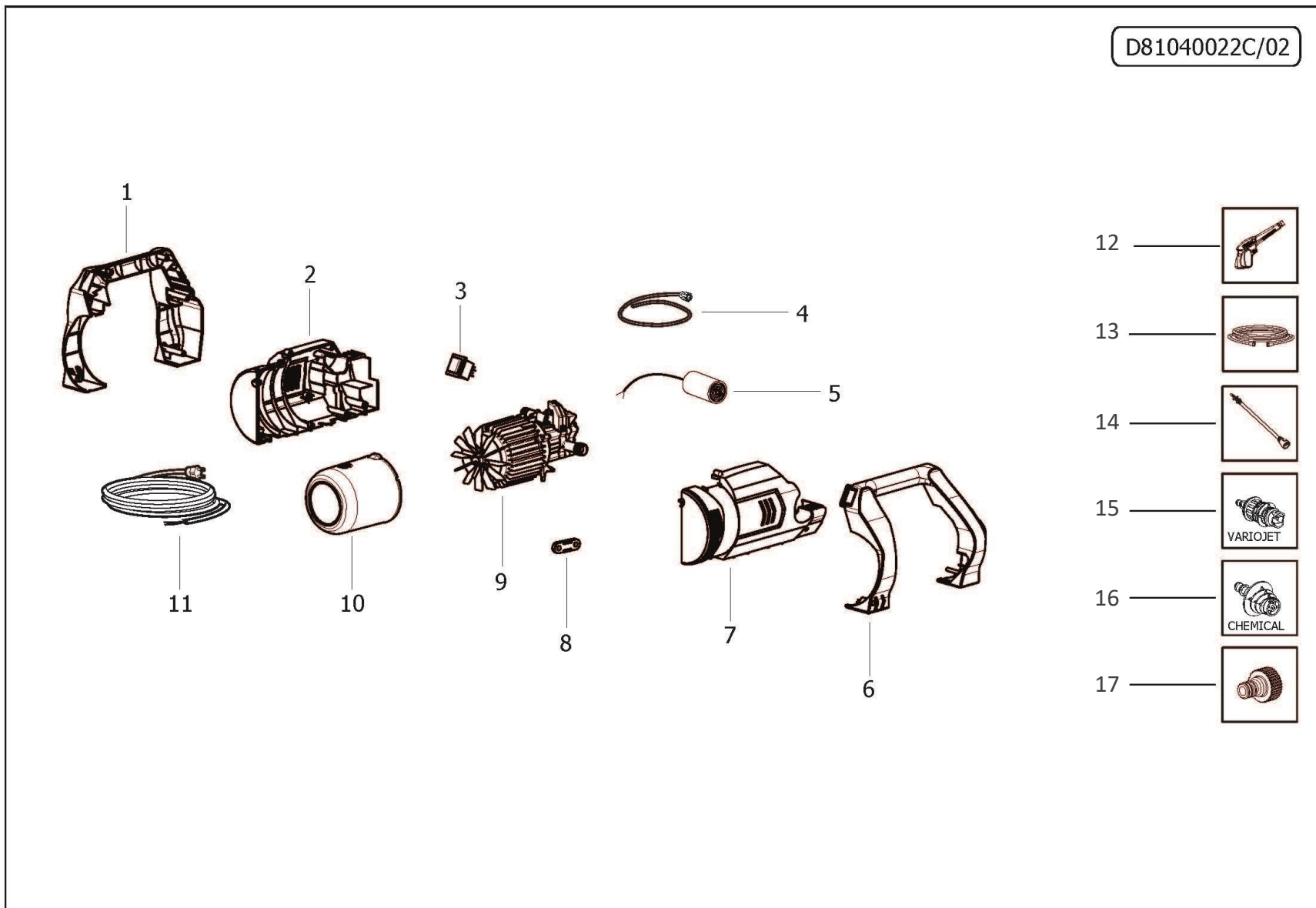


D81040022C/02



IDRO KR PORTABLE 230-240~50 -GR- TS EU COMET (9068050100)

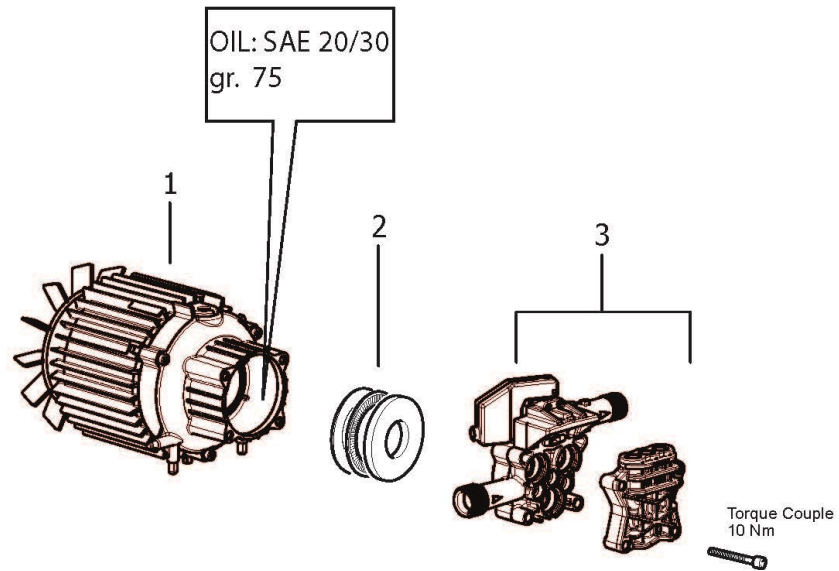
HPW KR PORTABLE 230-240~50 -GR- TS EU COMET (9068050100)

IDRO / PRESSURE WASHER KR PORTABLE 230-240~50 TS EU COMET (9068050100)

D81040022C/02

Pos.	componente	Descrizione	Description	Qta	tipoMan
1	1411 0095	IMPUGNATURA CARENATURA SX SPLIT RAL.7015	LEFT HANDLE FOR CABINET SPLIT (RAL.7015)	1	
2	0477 0698	CARENATURA SX SPLIT RAL.7035	LEFT CABINET SPLIT (RAL.7035)	1	
3	1410 0077	ASSIEME INTERR. 0/1 BIP. 12(10)A +PROTEZ.TRASPARENTE	SWITCH WITH PROTECTION 12(10)	1	S
4	3208 1540	CORREDO TUBO FILTRO ASP. DETERGENTE MT.0,5	ASS.DETERGENT SUCTION FILTER HOSE MT.1	1	
5	0434 0317	CONDENSATORE 20mF 450V D.39X73 F/M	CAPACITOR 20mF 450V WITHOUT/R.C.CABLE D.39X7	1	
6	1411 0096	IMPUGNATURA CARENATURA DX SPLIT RAL.7015	RIGHT HANDLE FOR CABINET SPLIT (RAL.7015)	1	
7	0477 0699	CARENATURA DX SPLIT RAL.7035	RIGHT CABINET SPLIT (RAL.7035)	1	
8	2434 0083	FERMACAVO PARETE FISSA	CABLE HOOK	1	
9	7301 1001	MOTOPOMPA PT'03 110h80 230-240/50 D.12 8GR30 TS	MOTOR PUMP PT'03 110h80 230-240/50 D.12 8G30	1	S
10	0466 0097	CONVOGLIATORE MOTORE 110H80 (D.142)	AIR CONVEYOR FOR MOTOR 110H80 (D.142)	1	
11	0456 0529	CAVO H05VV-F 3X1 MT.5,4 SP.SCHUKO F/F	CABLE H05VV-F 3X1 MT.5,4 SCHUKO PLUG F/F	1	S
12	2410 0238	PISTOLA S'09 CON ATTACCO RAPIDO INTEGR. CON LEVA	GUN S'09 WITH INTEGRAL QUICK JOINT	1	
13	3208 1342	TUBO 1/4 18MPa L=6000 GIR.M22x1,5 D.15-INN.RAP.	HOSE 1/4 180BAR L=6000 M22x1,5 D.15-RAPID FIX	1	S
14	3301 1500	LANCIA S'12 SENZA TESTINA CON ATT.RAP.	LANCE S'12 WITHOUT NOZZLE HEAD + NOZZLE CLEA	1	S
15	3217 0337	TESTINA LANCIA S'12 D.1,00 CON ATT.RAP.	NOZZLE HEAD LANCE S'12 D.1,00	1	S
16	3400 0774	TESTINA LANCIA SAPONE S'12 C/ATT.RAP.	SOAP HEAD LANCE S'12 W/QUICK COUPLING	1	S
17	1002 0285	INNESTO RAPIDO 3/4 TRASP. CON GUARN. CON FILTRO	TRANSP. QUICK COUPLING WITH FILTER (Yapai)	1	

D50010751C/01



IDRO KR PORTABLE 230-240~50 -GR- TS EU COMET (9068050100)

HPW KR PORTABLE 230-240~50 -GR- TS EU COMET (9068050100)

MOTOPOMPA / MOTORPUMP PT'03 110h80 230-240/50 D.12 8GR30 TS IN.1,7 *AUTO SUCTION*

D50010751C/01

Pos.	componente	Descrizione	Description	Qta	tipoMan
1	7304 0483	ASS.MOT.09 D110H80 230-240/50 2P C/TER. PT03 +PIATT.	MOTOR ASSEMBLY 09 D110H80 230-240/50 +WOBB	1	S
2	0436 0037	CUSCINETTO REGGISPINTA A SFERE 35X55X12 PER PT'03	THRUST BEARING 35X55X12 PT'03	1	S
3	5027 0122	GRUPPO CORPO GUIDA CON TS-ASP. +TESTATA	BODY GUIDE WITH SUCTION +HEAD ASSEMBLED	1	S

DATA VALIDITA'

04/05/2021

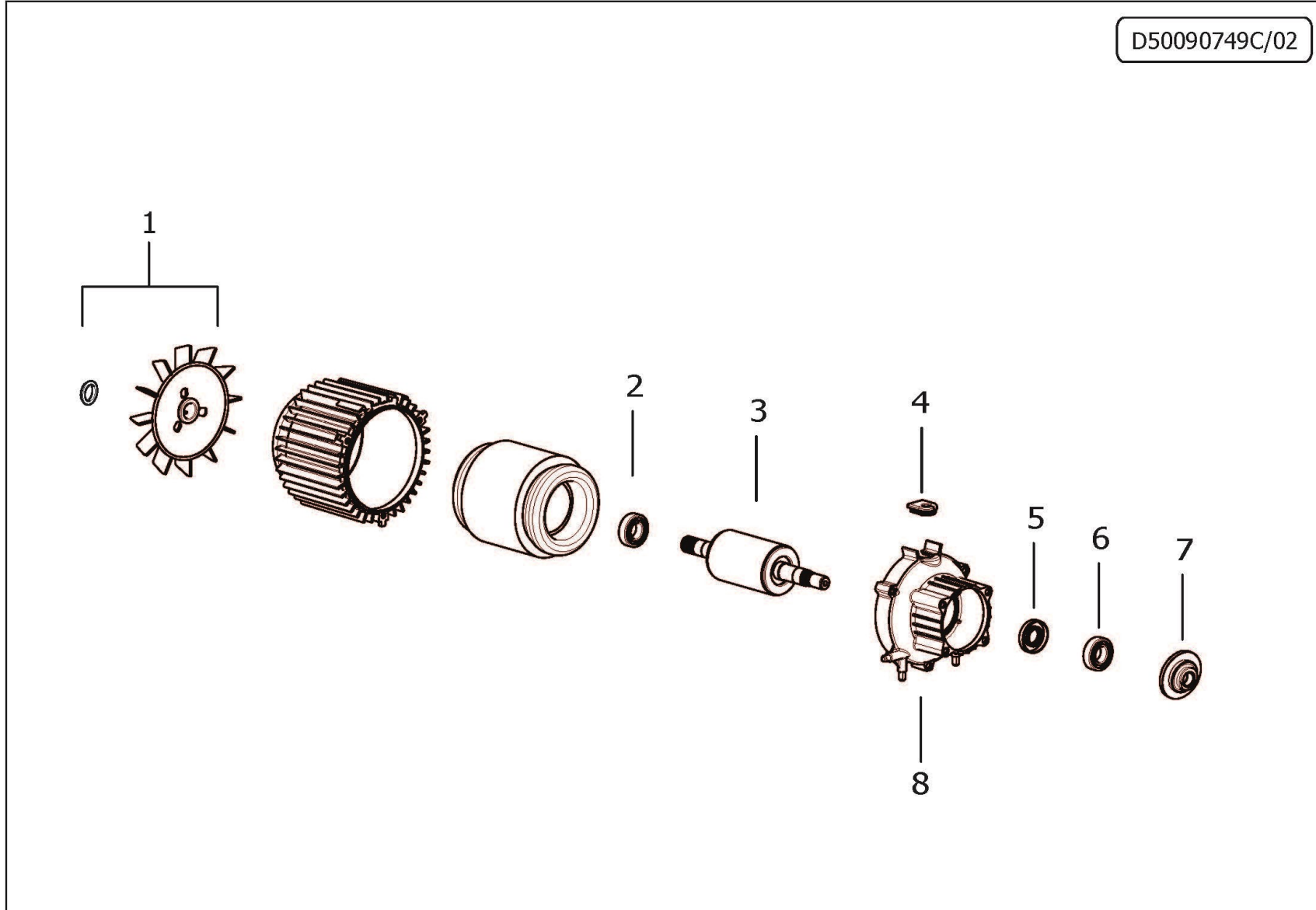
DATA EMISSIONE
PRINTING DATE

04/05/2021



4

D50090749C/02



IDRO KR PORTABLE 230-240~50 -GR- TS EU COMET (9068050100)

HPW KR PORTABLE 230-240~50 -GR- TS EU COMET (9068050100)

ASSIEME MOTORE / MOTOR ASSEMBLY

D50090749C/02

Pos.	componente	Descrizione	Description	Qta	tipoMan
1	3632 0180	KIT VENTOLA + ANELLO PER MOTORE D.110	KIT FAN + RING FOR MOTOR D.110	1	
2	0438 0164	CUSCINETTO RADIALE A SFERE 6202 2RS (15x35x11)	BALL BEARING 6202 2RS (15x35x11)	1	
3	0005 0481	ALBERO ROTORE PER MOTORE 110H80-10	ROTOR FOR 110H80-10	1	
4	2434 0090	PASSACAVO PT'03-10	CABLE HOLDER PT'03-10	1	
5	0019 0222	ANELLO DI TENUTA OLIO D.17X35X 7	OIL SEALING RING D. 17X35X7	1	
6	0438 0155	CUSCINETTO RADIALE A SFERE 6303 (17X47X14)	RADIAL	1	
7	0001 1089	PIATTELLO INCLINATO 8GR30 PER PT'03	WOBBLE PLATE 8GR30 PT'03	1	
8	1009 0458	FLANGIA ANT.MOTORE D.110-'10 PT'03	MOTOR FLANGE D.110-'10 PT'03	1	

DATA VALIDITA'

04/05/2021

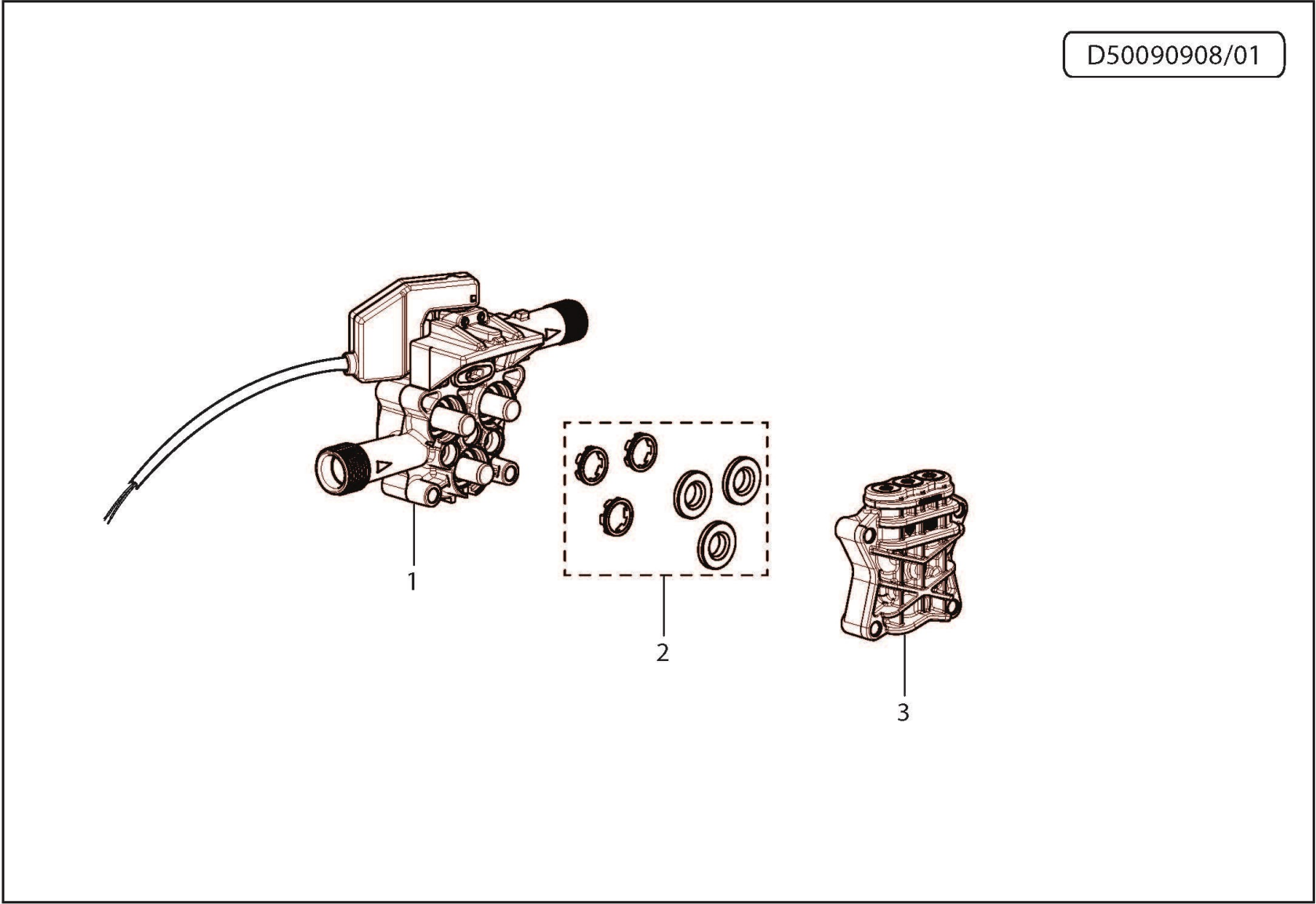
DATA EMISSIONE
PRINTING DATE

04/05/2021



6

D50090908/01



IDRO KR PORTABLE 230-240~50 -GR- TS EU COMET (9068050100)

HPW KR PORTABLE 230-240~50 -GR- TS EU COMET (9068050100)

GRUPPO CORPO GUIDA CON TOTAL STOP+TESTATA / DRIVE CASING WITH TOTAL STOP AND HEAD INCLUDED

D50090908/01

Pos.	componente	Descrizione	Description	Qta	tipoMan
1	5027 0121	CORPO GUIDA PT'03 PIST.D.12 CON TS-ASP.	PISTON BODY GUIDE PT'03 WITH TS/COMP.VALVE/S	1	
2	5027 0067	KIT 257 LW ANELLI APP.TENUTA ALLUM.	KIT 257 O-RING SEAL	1	
3	3218 0615	TESTATA PT'03 D.12 *AUTO SUCTION*	PUMP HEAD PARTNER '03 D.12 *AUTO SUCTION*	1	

DATA VALIDITA'

04/05/2021

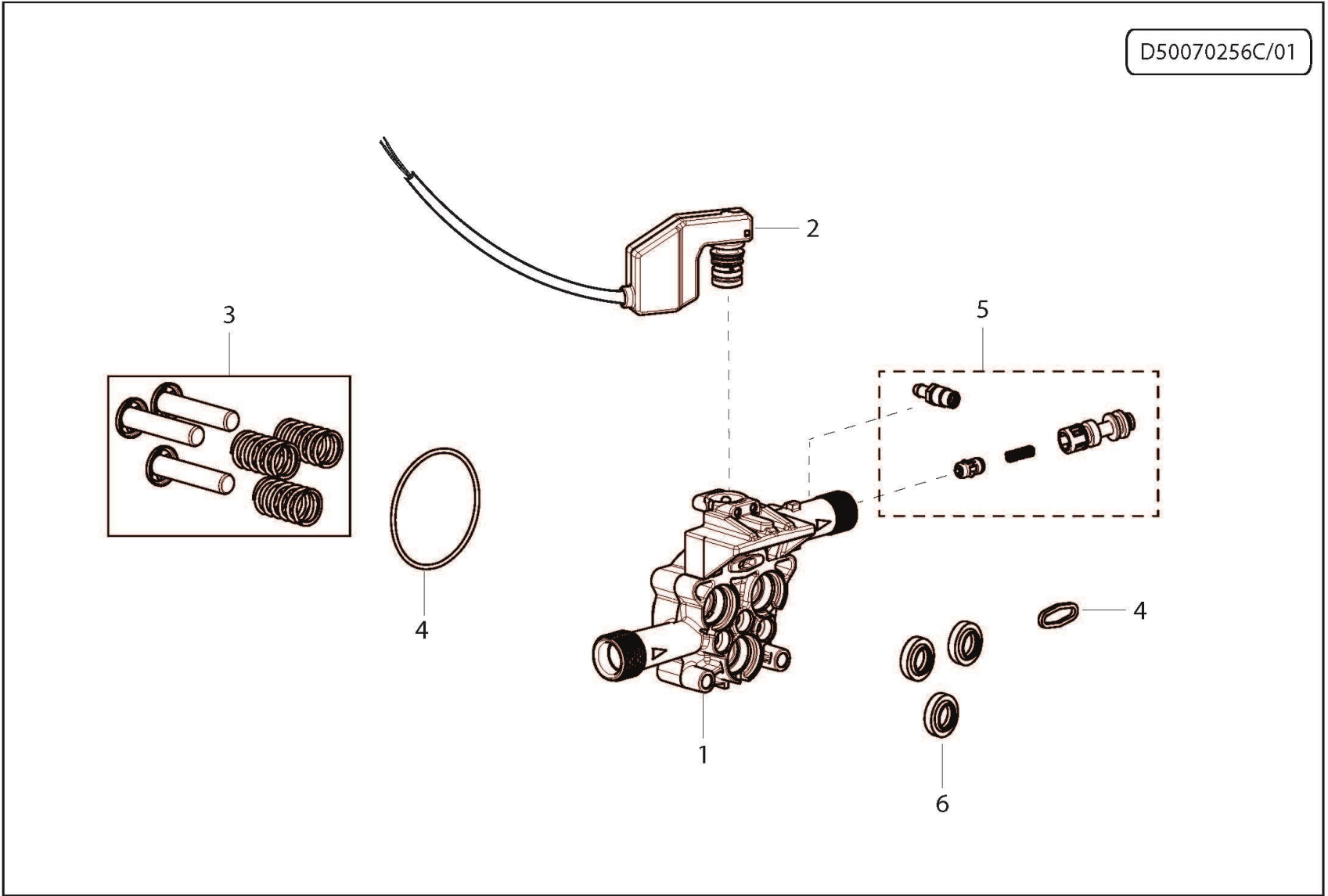
DATA EMISSIONE
PRINTING DATE

04/05/2021



8

D50070256C/01



IDRO KR PORTABLE 230-240~50 -GR- TS EU COMET (9068050100)

HPW KR PORTABLE 230-240~50 -GR- TS EU COMET (9068050100)

CORPO GUIDA CON TOTAL STOP / DRIVE CASING WITH TOTAL STOP

D50070256C/01

Pos.	componente	Descrizione	Description	Qta	tipoMan
1	2432 0047	CORPO GUIDA PISTONI PT'03 C/FORO ASP.DET.FILET.	PISTON BODY GUIDE PT'03 WITH SUCTION VALVE	1	
2	3103 0049	ASSIEME V.COMP. C/TS PT'03 CAVO L=530 MOLLA	COMPLETED VALVE TS PT'03 CABLE L=530 SPRING	1	
3	2409 0136	KIT 167 LW 3 PISTONI +MOLLE PT'03	KIT 167 LW PISTON	1	S
4	5027 0054	KIT 209 O-RING PER PT'03	KIT 209 O-RING	1	O
5	5027 0058	KIT 252 LW INIETTORE 1,7	KIT 252	1	S
6	5027 0059	KIT 79 LW ANELLI TENUTA OLIO	KIT 79 LW OIL SEALS	1	O

DATA VALIDITA'

04/05/2021

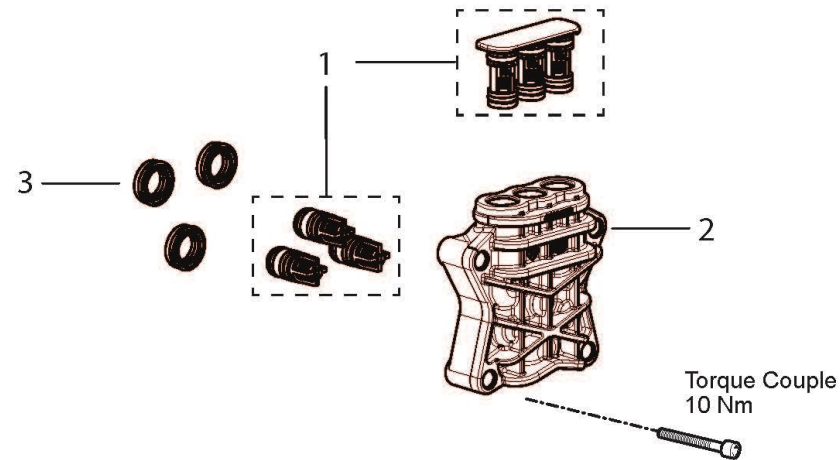
DATA EMISSIONE
PRINTING DATE

04/05/2021



10

D50080275/01



IDRO KR PORTABLE 230-240~50 -GR- TS EU COMET (9068050100)

HPW KR PORTABLE 230-240~50 -GR- TS EU COMET (9068050100)

TESTATA / HEAD

D50080275/01

Pos.	componente	Descrizione	Description	Qta	tipoMan
1	5025 0110	KIT 376 LW VALV.ASP./MAND.PT' 03 (AUTO SUCTION)	KIT 376 LW HEAD VALVE KIT (AUTO SUCTION)	1	
2	3218 0580	TESTATA PT'03 LAV.	'03 PARTNER HEAD	1	
3	5019 0298	KIT 124 ANELLI TENUTA ACQUA PARTNER D.12	KIT 124 O-RING WATER SEAL PARTNER D.12	1	O

DATA VALIDITA'

04/05/2021

DATA EMISSIONE
PRINTING DATE

04/05/2021



12